

Magnetic drilling machine

ECO.40 S+/P



Congratulations on purchasing this premium magnetic drilling machine. At Euroboor we strive to exceed our customers' expectations by developing and providing premium and innovative portable drilling and cutting solutions. We believe that a professional like you must be able to rely on a professional supplier. Which has led us to become a major player in the industrial world, with our own factory and several offices worldwide. All because we have always listened to our customers and to the demands from the market.

Our vision is focused on developing innovative portable tools that add value for our customers and facilitate them in their daily work. We never lose sight of sustainability, time savings and cost savings.

Enjoy your new machine!

Before operating your new magnetic drilling machine, please first read all instructions. You find the instructions in this manual and on the warning label on your machine. With proper use, care and maintenance your machine will provide you with years of premium drilling performance.

TO REDUCE THE RISK OF INJURY USER MUST READ AND UNDERSTAND ALL INSTRUCTIONS

To view all our offices and their contact information please visit: www.euroboor.com

Table of contents

ECO.40 S+/P	1
Table of contents	3
1. Safety.....	4
1.1 General safety instructions	4
1.2 Specific safety information.....	6
2. Description.....	8
2.1 Intended use.....	8
2.2 Description and features	8
2.3 Box contents.....	9
2.4 Serial number	9
2.5 Technical data.....	10
2.6 Symbols	11
2.7 Environmental	12
3. Preparation & adjustment	13
3.1 Assembly	13
3.2 Prior to use	14
4. Using the machine	15
4.1 Control panel	15
4.2 Permanent magnetic base	15
4.3 Switching magnet ON/OFF	17
4.4 Switching motor ON/OFF	17
4.4 Tool lubrication	17
5. Working with operation tools	19
5.1 Annular cutters.....	19
5.2 Twist drills.....	20
5.3 Countersinks.....	21
6. Maintenance	22
7. Trouble shooting	24
8. Exploded view & spare part list	25
8.1 Exploded views	25
8.2 Spare parts list.....	27
8.3 Wiring diagram	29
8.4 Warranty and service	30

1. Safety

1.1 General safety instructions

Do not use this magnetic drilling machine before you have thoroughly read and completely understood this manual, specifically the “General safety instructions” and “Specific safety information”, including the figures, specifications, safety regulations and the signs indicating DANGER, WARNING and CAUTION.



WARNING: When using electrical tools basic safety precautions should always be followed to reduce the risk of fire, electrical shock and personal injury.

Please also observe the relevant national industrial safety regulations. Non-observance of the safety instructions can lead to an electric shock, burns and/or severe injuries.

This manual should be kept for later use and enclosed with the magnetic drilling machine, should it be passed on or sold.

Work area

1. Keep your work area clean and well lit. Cluttered and dark work areas increase the change of accidents;
2. Do not operate a magnetic drilling machine in explosive atmospheres, such as in the presence of flammable liquids, gases or dust. A magnetic drilling machine may create sparks which could ignite the dust or fumes;
3. Keep bystanders, children and visitors away while operating a magnetic drilling machine. Distractions can cause you to lose control.

Electrical safety

1. A magnetic drilling machine plug must match the outlet. Never modify the plug in any way. Do not use any adapter plugs;
2. Avoid body contact with grounded surfaces such as pipes, radiators, ranges and refrigerators. There is an increased risk of electric shock if your body is grounded;
3. Do not expose the magnetic drilling machine to rain or wet conditions. Water entering a machine will increase the risk of electric shock;
4. Do not abuse the cord. Never use the cord to carry the magnetic drilling machine or pull the plug from an outlet. Keep the cord away from heat, oil, sharp edges or moving parts. Replace damaged cords immediately. Damaged cords increase the risk of electric shock;
5. When operating a magnetic drilling machine, use an extension cord suitable for outdoor use, this reduces the risk of electric shock;
6. If operating a magnetic drilling machine in a damp location is unavoidable, use a residual current device (RCD), this reduces the risk of electric shock.

Personal safety

1. Stay alert, watch what you are doing and use common sense when using a magnetic drilling machine. Do not use the machine while tired or under the influence of drugs, alcohol, or medication. A moment of inattention while operating a magnetic drilling machine may result in serious personal injury;
2. Dress properly. Do not wear loose clothing or jewelry. Keep your hair, clothing and gloves away from moving parts. Loose clothes, jewelry or long hair can be caught in moving parts;
3. Avoid accidental starting. Be sure the switch is off before plugging the machine in. Carrying a magnetic drilling machine with your finger on the switch or plugging in a magnetic drilling machine that has the switch on increases the change of accidents;
4. Never place hands, fingers, gloves or clothing near drilling area or rotating machine parts;
5. Remove adjusting keys or switches before turning the machine on. A wrench or a key that is left attached to a rotating part of the machine may result in personal injury;
6. Do not overreach. Keep proper footing and balance at all times. Proper footing and balance enables better control of the magnetic drilling machine in unexpected situations;
7. Use safety equipment. Always wear eye protection. Dust mask, non-skid safety shoes, hard hat and hearing protection must be used for optimal safety;
8. Always use supplied safety chain during any work on non-horizontal surfaces. Magnetic drilling machine can release from surface.

When using this machine, you MUST wear ear and eye protection.

Machine use and care

1. When using the machine on non-horizontal surfaces, you must use cutting paste. Do not use oil because the oil can drip into the motor unit;
2. While operating the machine, the annular cutter must be cooled and lubricated with high quality cutting lubricants;
3. Always remove the slug from the annular cutter after each hole. **Caution;** the slug may be hot;
4. Use clamps or other practical solutions to secure and support the workpiece to a stable platform. Holding the workpiece by hand or against your body is unstable and may lead to loss of control;
5. Do not use the machine when the switch does not turn it on or off. Any machine that cannot be controlled with the switch is dangerous and must be repaired;
6. Disconnect the plug from the power source before making any adjustments, changing accessories or storing the tool. Such preventive safety measures reduce the risk of starting the tool accidentally;
7. Store your magnetic drilling machine out of reach for children and other untrained persons. Tools are dangerous in the hands of untrained users;
8. Maintain your machine with care. Keep cutting tools sharp and clean. Properly maintained tools, with sharp cutting edges are less likely to break and are easier to control;
9. Check for misalignment of moving parts, breakage of parts and any other condition that may affect the machine's operation. If you detect damage have the machine serviced before use. Many accidents are caused by poorly maintained tools;
10. Only use accessories that are recommended by Euroboor for your machine model. Accessories that are suitable for one machine may become hazardous when used on another machine.

Service

1. Tool service must be performed only by qualified repair personnel. Service or maintenance performed by unqualified personnel could result in risk of injury;
2. When servicing a tool, use only identical replacement parts. Follow instructions in the maintenance section of this manual. Use of unauthorised parts or failure to follow maintenance instructions may create a risk of electric shock or injury;
3. Euroboor offers Armature kits containing official Euroboor spare parts suitable for your magnetic drilling machine.

1.2 Specific safety information

- Keep your fingers away from the drilling area;
- Avoid touching the slug that is automatically ejected by the pilot pin when the working procedure is finished. Contact with the slug when it is hot, or if it falls, can cause personal injuries;
- Always use the safety guard. Before switching on the machine ensure that the guard is closed securely;
- Always use the safety chain;
- The magnetic drilling machine is suitable for use on steel with a thickness starting from 6 mm, with zero air gap between the magnet core surface and the mounting surface. Curvature, coats of paint and surface irregularities will create an air gap. Keep the air gap to a minimum;
- Always place the machine on a flat surface;
- Do not clamp the magnetic drilling machine on small or irregular shaped objects;
- Always place the machine on a surface that is clear of shavings, chips, swarf and surface dirt;
- Keep the magnet clean and free of debris and swarf;
- Do not switch on the machine before checking whether the magnetic stand has been tightened firmly to the mounting surface;
- Adjust the machine so cutter does not extend into the workpiece before drilling. Do not perform any design, assembly or construction activities on the workpiece while the machine is switched on;
- Before switching on the machine, make sure all accessories have been mounted correctly;
- Do not switch on the machine until it has been mounted and installed according to all above mentioned instructions;
- Always use the recommended speed for the accessories and material you are working with;
- Do not use the machine on the same workpiece on which electric welders are working;
- Only use an appropriate cutting lubricant. Euroboor offers a wide range of well-considered cooling and lubrication products to match your requirements;
- Do not use liquid cutting fluids while drilling vertically or overhead. Dip the cutter in cutting paste or apply an appropriate spray for these applications;
- Do not pour cutting fluid into the reservoir while it is mounted in the bracket. Do not allow cutting fluid to enter the drill motor;
- Before use, ensure movable safety guard operates properly;
- In case of a jammed cutter, turn off the machine, disconnect the machine from the power supply and then remove the reason for the jam before turning on the machine again.

Residual risk

In spite of following the relevant safety regulations and their implementation, certain residual risks cannot be avoided. These are:

- Impairment of hearing;
- Risk of personal injury from flying particles;
- Risk of burns due to accessories becoming hot during operation;
- Risk of personal injury due to prolonged use.

Always try to reduce these risks as much as possible.

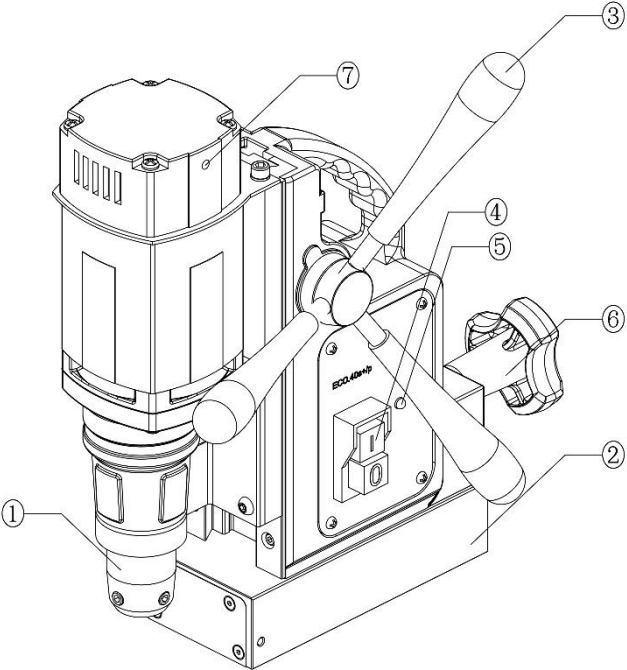
2. Description

2.1 Intended use

This magnetic drilling machine is intended for commercial use as a drilling machine for drilling materials with a magnetisable surface using annular cutters ,twist drills, and for countersinking and reaming in a weather-protected environment using the application tools and accessories recommended by EUROBOOR. The magnetic drilling machine can be used horizontally, vertically or overhead.

2.2 Description and features

- 1. Spindle
- 2. Electromagnet
- 3. Feed handle
- 4. Motor on/off switch
- 5. Magnet LED indicator
- 6. Magnet switch
- 7. Alarm indicator for carbon brush



[image 2-1]

2.3 Box contents

- 1 ECO.40S+/P Magnetic drilling machine
- 1 x safety guard
- 3 x handles
- 1 x hex key 2.5 mm
- 1 x hex key 3 mm
- 1 x hex key 4 mm
- 1 x hex key 5 mm
- 1 x lubrication system
- 1 x safety chain
- 1 x ear protection
- 1 x safety goggles
- 1 x safety gloves
- 1 x user manual

2.4 Serial number

The serial number is mentioned on the machine 3 times: engraved on the frame and magnet, plus on the serial no. sticker on the motor housing. Additional serial no. stickers are provided with the machine for your administration.

The serial number will help you and your sales point validate and identify the machine.

As example:

0302006001

breaks down to:

030 20 06 001

Machine series

Year of manufacture

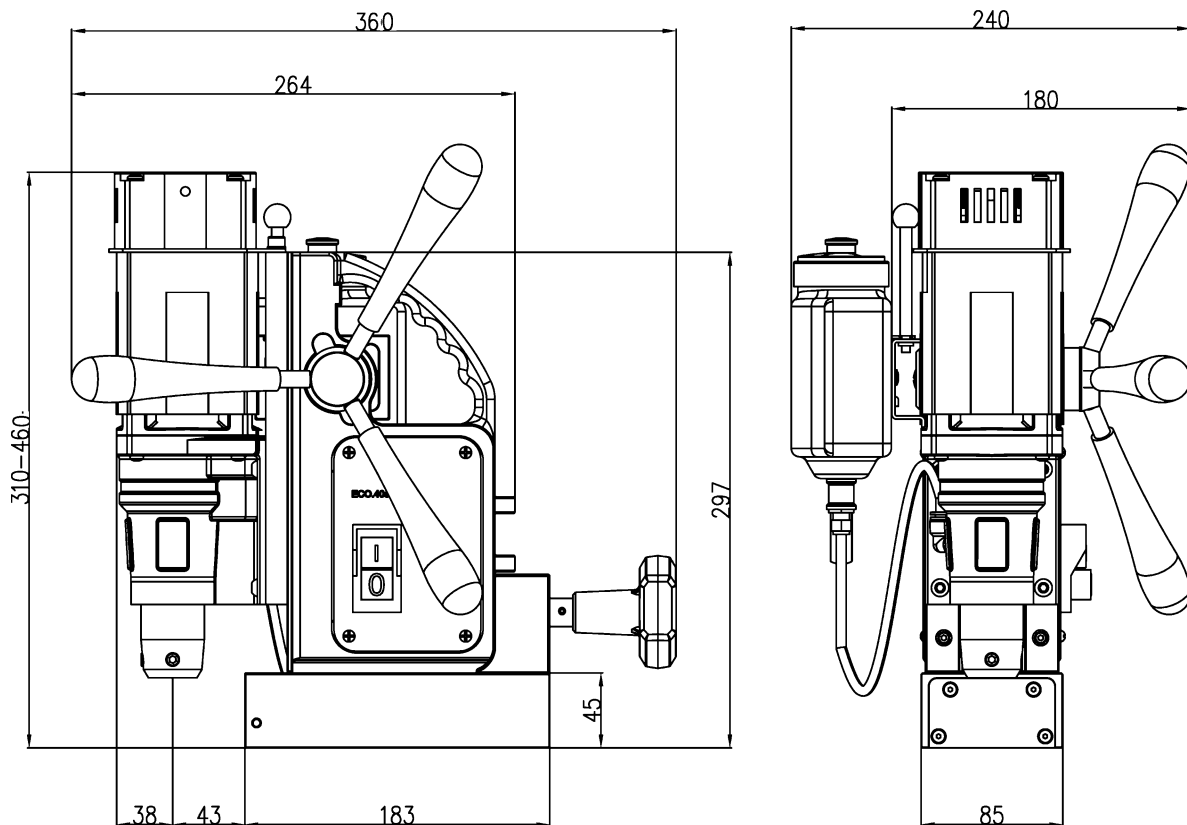
Month of manufacture

Identification number

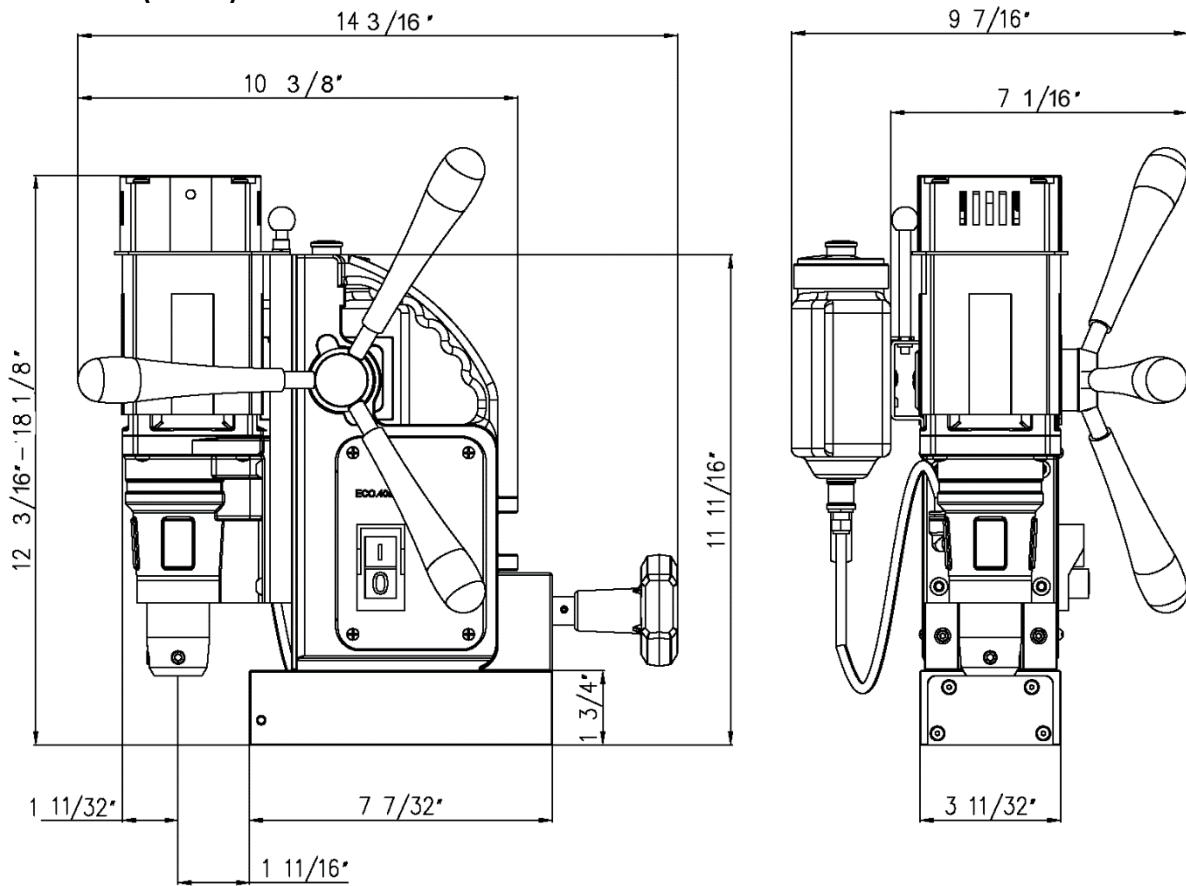
2.5 Technical data

	Metric	Imperial
Annular cutting	Ø 12 - 40 mm	Ø 7/16" - 1 9/16"
Twist drilling	Ø 1 - 16 mm	Ø 1/16" - 5/8"
Threading	-	-
Countersinking	Ø 10 - 45 mm	Ø 3/8" - 1 3/4"
Length	360 mm	14 3/16"
Width	180 mm	7 1/16"
Height	310 - 460 mm	12 3/16" - 18 1/8"
Stroke	150 mm	5 7/8"
Weight	12.3 kg	27.1 lbs
Magnet (l x w x h)	183 x 85 x 45 mm	7 3/16 x 3 3/4" x 1 3/4"
Magnetic force	900 kg	1,653 lbs
Motor power	1150 W	10.5 A
Total power	1150 W	10.5 A
Speed (no load)	600 rpm	600 rpm
Speed (loaded)	380 rpm	380 rpm
Spindle (Weldon)	19.05 mm	3/4"
Voltage	220 - 240V AC / 50 - 60 Hz	110 - 120V AC / 60 Hz







Dimensions (mm)



Dimensions (inches)



2.6 Symbols

Symbol	Term, meaning	Explanation
	Read documentation	Be sure to read the documentation in this user manual and specifically the "General safety instructions" and "Specific safety information".
	Wear ear protection	Use ear protection during operation.
	Wear eye protection	Use eye protection during operation.
	Danger/warning/caution	Read and apply the information in the adjacent text!
	European conformity symbol	Confirms the conformity of the magnetic drilling machine with the directives of the European Community.
	Class of protection I	Product with basic insulation and exposed (touchable) conductive parts additionally connected to the protective earth conductor.

Symbol	Term, meaning	Explanation
mm	Millimeter	Unit of measure for the dimensions.
"	Inch	Unit of measure for the dimensions.
kg	Kilogram	Unit of measure for the mass.
lbs	Pound	Unit of measure for the mass.
V	Volt	Unit of measure for the electric voltage.
A	Ampere	Unit of measure for the electric current intensity.
W	Watt	Unit of measure for the output.
no	No load speed	Revolution speed at no load.
rpm	Revolutions per minute	Unit of measure for the revolutions.

2.7 Environmental



Separate collection. This product must not be disposed of with normal household waste.



Separate collection of used products and packaging allows materials to be recycled and used again. Re-use of recycled materials helps prevent environmental pollution and reduces the demand for raw materials.

Local regulations may provide for separate collection of electrical products from the household, at municipal waste sites or at the retailer when you purchase a new product.

3. Preparation & adjustment

3.1 Assembly



WARNING: To reduce the risk of injury, turn unit off and disconnect machine from power source before installing and removing accessories, before adjusting or changing set-ups or when making repairs. Be sure all switches are in the OFF position. An accidental start-up can cause injury.

Fitting the feed handles

1. Fit each of the three feed handles by screwing them into the hub in clockwise directions
2. Tighten firmly by hand

The handles are supposed to face slightly outward. Be careful not to cross-thread any of the components.

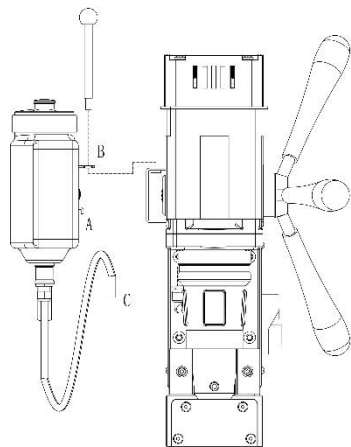
Mounting the safety guard

The safety guard protects against chippings and accidental contact must always be mounted during operation.

1. Hold the guard in front of the magnet, aligning the slots in the guard with the holes in the magnet.
2. Fit the screws into the hole located in the side of the magnet.



WARNING: Always use the Safety guard.



Fitting the lubrication system

The lubrication system can be used for horizontal drilling applications (the drill being used vertically).

1. Hang the coolant tank (A) on the coolant tank holder
2. Position and tighten the attachment pin (B)
3. Connect the coolant hose (C) to the fitting on the gearbox. Make sure the hose is connected fully and tightly
4. To disconnect the coolant hose, press the blue ring on the connection and gently pull out the hose

[image 3-1]

Fitting the safety chain

1. Pass the safety chain through the frame grip opening;
2. Wrap the chain around the workpiece;
3. Securely close the chain using the lock.



WARNING: Always use the safety chain when drilling vertically and/or up-side-down. The safety chain does not replace the magnetic force of the magnetic drilling machine: it is simply used to secure against falling in the event of a magnet malfunction.

3.2 Prior to use

- ✓ Please make sure that the contacting surface for the permanent magnet is level, clean and rust free. Remove any varnish or primer. When working on materials that are not magnetisable, suitable fixation devices, obtainable as accessories from Euroboor, e. g. suction plate, vacuum plate or pipe-drilling machine must be used.
- ✓ When working on steel materials with a material thickness of less than 6 mm, the workpiece must be reinforced with an additional steel plate in order to guarantee the magnetic holding power.
- ✓ Check the machine for possible damage; Before using the machine, you must carefully check the protective components or slightly damaged components to ensure they are and as intended.
- ✓ Check that moving parts are in perfect working order, do not jam and check whether the parts are damaged. All parts must be correctly installed and fulfill all conditions necessary to ensure perfect operation of the machine.
- ✓ Damaged protective components must be repaired or replaced according to specifications by Euroboor or any authorised Euroboor dealer.

DO NOT use under wet conditions or in presence of flammable liquids or gases.

DO NOT let children come into contact with the machine. Supervision is required when inexperienced operators use this machine.

Electrical safety

The electric motor has been designed for one voltage only. Always check that the power supply corresponds to the voltage on the rating plate.

Your Euroboor magnetic drilling machine is designed in class I (grounded) according to EN 61029-1. Earth wire is required.

If the supply cord is damaged, it must be replaced by a specially prepared cord available at Euroboor or your Euroboor dealer.

Extension cable

If an extension cable is required, use an approved 3-core extension cable suitable for the power input of this machine (see technical data). The minimum conductor size is 1.5 mm²; the maximum length is 30 metre. When using a cable reel, always unwind the cable completely.

Useful tips

- Try a few simple projects using scrap material until you develop a “feel” for the magnetic drilling machine;
- Let the machine run in for a period of eight to ten hours before starting with big operations. Do not load the machine too much during this run-in period;
- Never use the machine with serious overload;
- Keep the machine clear from moisture at all times to protect the machine, yourself and others.

4. Using the machine



WARNING: Always observe the safety instructions and applicable regulations.

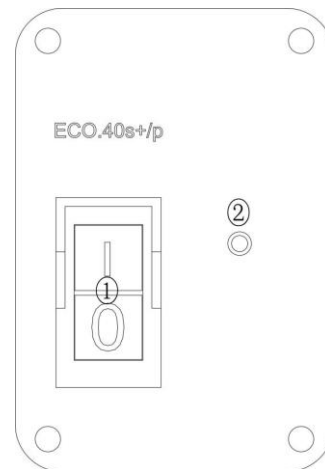


WARNING: To reduce the risk of serious personal injury, turn tool off and disconnect tool from power source before making any adjustments or removing/installing attachments or accessories.

4.1 Control panel

The control panel on your magnetic drilling machine is designed for maximum ease of use and safety.

1. Motor on/off switch
2. Magnet LED indicator



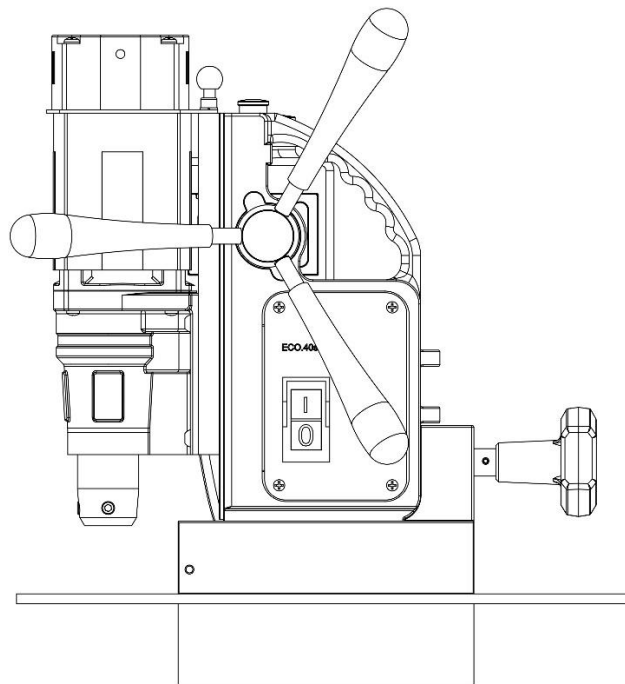
[image 4-1]

4.2 Permanent magnetic base

Make sure the magnetic drilling machine is placed on a smooth, clean, level and solid surface without any objects or debris to guarantee maximum adhesion.

The workpiece must at least be 6 mm (1/4") thick for the magnet to stick and to drill safely. In case the workpiece is between 3 mm (1/8") and 6 mm (1/4"), make sure to make a proper base to create a good magnetic field as shown below.

The permanent magnet will work best on surfaces of at least 10 mm (3/8") thickness.



[image 4-2]

When the magnet is not able to create a good enough magnetic field, this may be caused by:

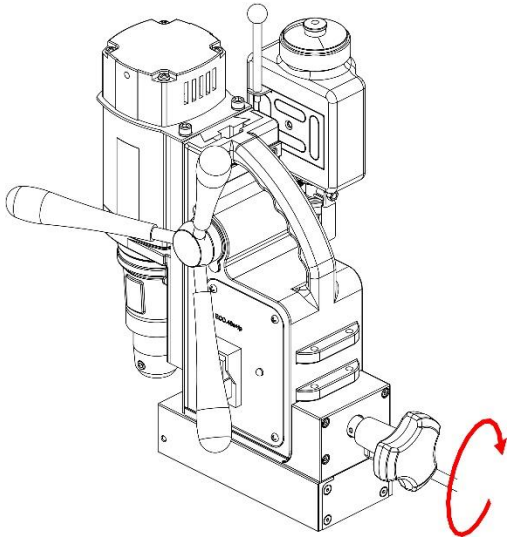
- Surface not being flat;
- Workpiece is not magnetisable (e.g. aluminium);
- Workpiece is coated or painted;
- Workpiece is not thick enough.
- The permanent magnet has been demagnetized

We want to point out that above mentioned precautions and indicator do not guarantee that the magnet will not release from the material. Euroboor accepts no liability when it comes to the magnet not functioning or functioning poorly.

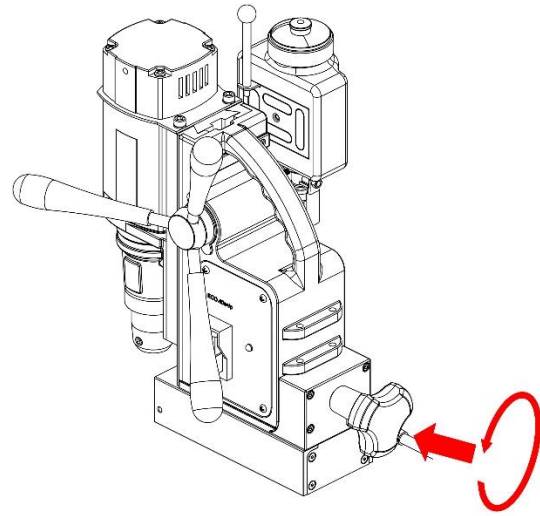
Make sure that the magnet attaches tightly to the work piece before turning on the motor unit of the magnetic drilling machine.

Always use the safety chain included. Drilling above your head is extremely dangerous and is not recommended. For the use of magnetic drilling machines on pipes, not-flat or non-magnetic materials, we refer to our catalogue or our website www.euroboor.com where several vacuum tightening systems, pipe clamping systems and tube machines can be found.

4.3 Switching magnet ON/OFF



[image 4-2]



[image 4-3]

- **Activating** the magnetic holding force by rotating the switch knob clockwise, the magnet LED indicator lights up in green, to indicate that the magnetic holding force is sufficient for drilling.
- **Inactivating** the magnetic holding force by press the switch knob and rotating the switch knob counter-clockwise, the magnet LED indicator goes off, to indicate that the magnetic holding force is off.



WARNING: Do not place the permanent magnet base on hot surfaces, it could reduce the magnetic holding force and may result in permanent demagnetization of the magnet.

4.4 Switching motor On/Off

The motor unit can only be switched ON when the magnet LED indicator is activated. To switch the motor ON, press the green button with marking “I”. To switch the motor OFF, press the red button with marking “O”.

4.4 Tool lubrication

Horizontal applications

In order to use the lubrication system, the tank must be filled with a cutting lubricant.

1. Make sure the flow regulator is closed;

2. Unscrew the cap;
 3. Fill the container with cutting lubricant;
 4. Screw the cap back on.
- Adjust the fluid flow as required using the flow regulator;
 - Add more cutting lubricant when the shavings (metal chips) become blue.

Vertical and overhead applications

Dip the cutter in cutting paste or apply an appropriate spray.



WARNING: *Do not use the lubrication system in vertical or overhead drilling applications. Instead use Euroboor cutting paste.*

Make sure to use only suitable cutting lubricants. Euroboor offers a wide range of cutting lubricants for all tool and material combinations. Proper lubrication will help you create better and faster results, and extend the lifetime of your tools.

5. Working with operation tools

5.1 Annular cutters

Annular cutters only cut material at the periphery of the hole, rather than converting the entire hole to shavings. As a result, the energy required to make a hole is lower than for a twist drill. When drilling with an annular cutter, it is not necessary to drill a pilot hole.

⚠ WARNING: Do not touch the cutter or the parts close to the cutter immediately after operation, as they may be extremely hot and cause burns to the skin. Ensure nobody is in the work area where the metal core (slug) is ejected.

Drilling conditions

The ease with which material can be drilled depends on several factors including tensile strength and abrasion resistance. Whilst hardness and/or strength is the usual criterion, wide variations in machinability can exist among material showing similar physical properties.

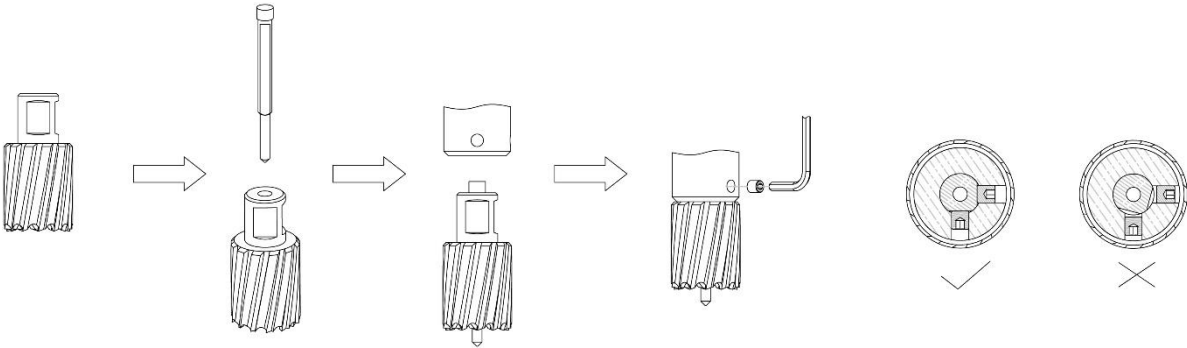
The drilling conditions are dependent on requirements for tool life and surface finish. These conditions are further restricted by the rigidity of the tool and the workpiece, lubrication and machine power available. The harder the material, the lower the cutting speed.

Some materials of low hardness contain abrasive substances leading to rapid cutting edge wear at high speeds. Feed rates are governed by rigidity of set-up, volume of material to be removed, surface finish and available machine power.

Drilling a hole

Now that you have read the information and safety recommendations above, you are ready to actually start drilling. Follow these 12 steps for best drilling result:

1. Install the annular cutter:
 - Place the pilot pin into the cutter;
 - Align the flat faces on the cutter shank with the screws in the tool holder;
 - Make sure the cutter shank is entered fully and correctly;
 - Tighten the screws;



[image 5-1]

2. Precisely mark the center of the hole;
3. Use the pilot pin to position the machine in the correct position, with the tip of the pilot pin to meet the marked center of the hole;
4. Switch on the magnet and verify that the drill is in the right position and that the machine is pushed tight against the work piece;
5. Put open the valve of your lubrication system to release the oil;
6. Switch the motor on and allow it to run at the required speed;
7. Turn the feed handles to start drilling. Apply only a slight pressure when the annular cutter touches the metal. Do not push the annular cutter with force into the metal;
8. Apply a regular pressure while drilling. The drilling performance does not improve by putting more pressure on the machine. Too much pressure will overload the motor and your annular cutter will be worn sooner;

A continuous, non-discoloured iron swarf is a sign of correct drilling speed and a well-cooled, sharp cutter. Let the cutter do the job and give it time to cut the metal!

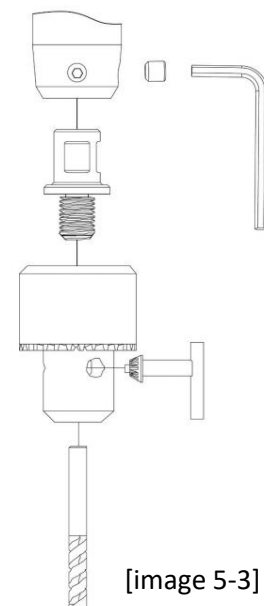
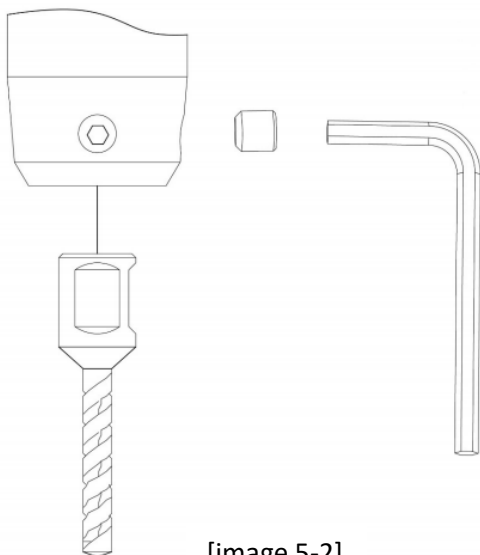
9. Adjust the oil supply when necessary;
10. Apply less pressure when the drill cuts through the material. The slug will be pushed out of the cutter by the pilot pin;
11. Turn the feed handles to put the motor in highest position and switch off the motor unit;
12. Remove the burrs, metal chips and clean the cutter and surface without getting injuries.



The metal slug can be sharp and very hot!

5.2 Twist drills

1. Fit the twist drill:



- a. Weldon shank twist drills:
Fit a Weldon shank twist drill (such as Euroboor SPI/SSPI-series) directly to the machine;

- b. Straight shank twist drills
Use a Weldon drill chuck adapter (such as Euroboor IBK.14, adapter 19.05 mm (3/4") Weldon (external) to 1/2" x 20 UNF) to fit a drill chuck and straight shank twist drill accordingly;
2. Precisely mark the center of the hole, and use the tip of the twist drill to position the machine in the correct position, with the tip of the twist drill to meet the marked center of the hole

Steps 3-12: see paragraph 5.1 Annular cutters. Make sure the machine runs at maximum speed for twist drills!

5.3 Countersinks

Thanks to its wide range of operating speeds, the machine can also be used for reaming or counter-sinking. Follow the steps mentioned in paragraph 5.2 Twist drills.

6. Maintenance

Your EUROBOOR magnetic drilling machine has been designed to operate over a long period of time. Continuous satisfactory operation depends upon proper tool care and regular cleaning.



CAUTION: To reduce the risk of injury, turn the machine off and disconnect machine from power source before installing and removing accessories, before adjusting or changing set-ups or when making repairs. Be sure the switch is in the OFF position. An accidental start-up can cause injury.

Just as every magnetic drilling machine with moving parts, your EUROBOOR magnetic drilling machine also needs regular maintenance service. A few recommendations follow :

Visually check the machine for damage

The machine must be checked before operating for any signs of damage that will affect the operation of the machine. Particular notice must be taken of the main cable, if the machine appears to be damaged it should not be used. Failure to do so may cause injury or death.

Cleaning

- Clean all dirt, dust, metal chips and burrs of your magnetic drilling machine;
- Blow dirt and dust out of the main housing with dry air as often as dirt is seen collecting in and around the air vents. Wear approved eye protection and an approved dust mask;
- Never use solvents or other harsh chemicals for cleaning the non-metallic parts of the tool. These chemicals may weaken the materials used in these parts. Use a cloth dampened only with water and mild soap. Never let any liquid get inside the tool; never immerse any part of the tool into a liquid.

Operation of the machine

The machines operation must be checked to ensure that all components are working correctly. Replace any defective parts immediately. This prevents properly functioning parts from being damaged.

Check permanent magnetic base

Before every operation the magnetic base should be checked to make sure that the base is flat and there is no damage present. An uneven magnet base will cause the magnet to hold not as efficiently and may cause injury to the operator. When the machine is put out of use for a longer period, apply a small amount of machine oil to the underside of the magnetic base for rust protection. Clean the magnetic base again with next use.

Check machine grease

The gearbox grease should be checked once a month to ensure all moving components are covered to prevent wear. The grease should be changed at least once a year to ensure you gain the best from the machine.

Carbon brushes

Brushes should be checked to make sure there is no abnormal wear present. This should be checked at least once a week if used frequently. If the carbon brush has worn more than 2/3 the original length the brushes should be changed. Failure to do so may cause damage to the machine.

Check armature

This should be checked at least once a month to check if there are visual signs of damage to the body or to the commutator. Some signs of wear will be seen on the commutator over a period of time this is normal as this is the part that comes in contact with the brushes but any signs of abnormal damage means the part should be replaced.

Adjustment of slide

An essential requirement of the machine is that the slide can move in a smooth and controlled manner, free of lateral movement and vibration. This situation can be maintained by periodic adjustment of the slide and can be accomplished in the following manner:

1. Place the machine in an upright position and, by means of the capstan, raise the slide to its highest position. Clean the aluminium rails and apply a small amount of light machine oil to the wear surfaces;
2. Gently feed in setting screw with supplied Allen key 2.5 until slight resistance is encountered. Follow your way down adjusting all setting nuts and screws;
3. Operate the slide up and down a few times to test the movement and make any further necessary adjustments. Try to ensure that all the screws are exerting a uniform pressure on the slide from top to bottom. A perfectly adjusted slide will operate freely up and down without any sideways movement.

Lubricating the feed travel

The feed travel should be lubricated periodically with grease to ensure smooth operation.

- Raise the motor unit to the highest position possible;
- Lubricate the dove-tail guideway at both sides;
- Lubricate the gear rack.

After repeated use, the gear rack may become loose. If necessary, adjust the self-locking set screws at the left side. Tighten screws in series until the gear rack moves freely in the dove-tail guideway but does not allow the motor to wobble.

Repair, modification and inspection

Repair, modification and inspection of EUROBOOR Magnetic drilling machines must be done by EUROBOOR or an EUROBOOR authorised dealer. The spare parts list will be helpful if presented with the machine to the EUROBOOR dealer for service when requesting repair or other maintenance.

EUROBOOR machines are constantly being improved and modified to incorporate the latest technological advancements. Accordingly, some parts (i.e. part numbers and/or design) may be changed without prior notice. Also, due to EUROBOOR's continuing program of research and development, the specifications of machines are subject to change without prior notice.



WARNING: *Since accessories, other than those offered by EUROBOOR, have not been tested with this machine, use of such accessories with this tool could be hazardous. To reduce the risk of injury, only EUROBOOR recommended accessories should be used with this machine.*

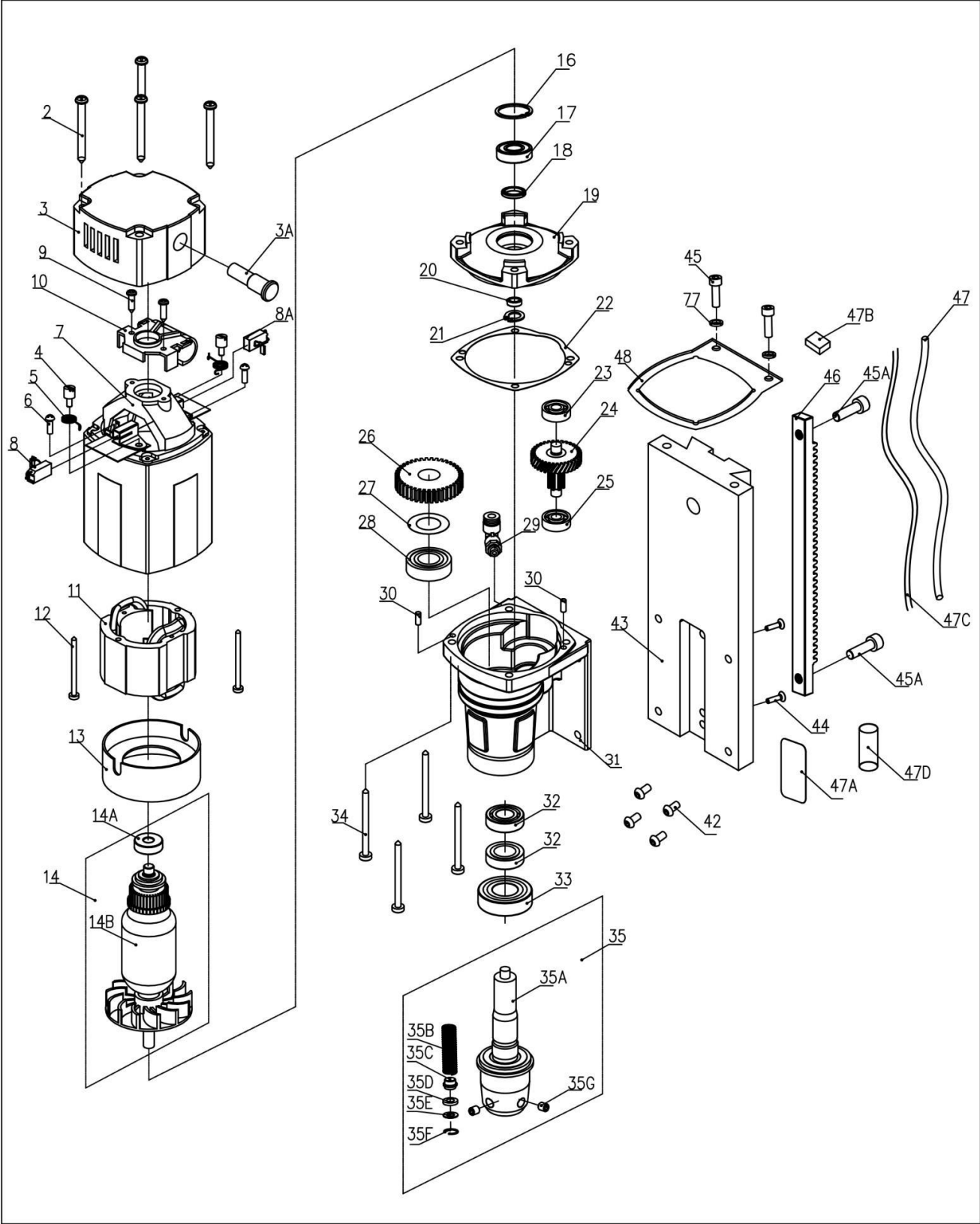
Consult your dealer for further information on the appropriate accessories.

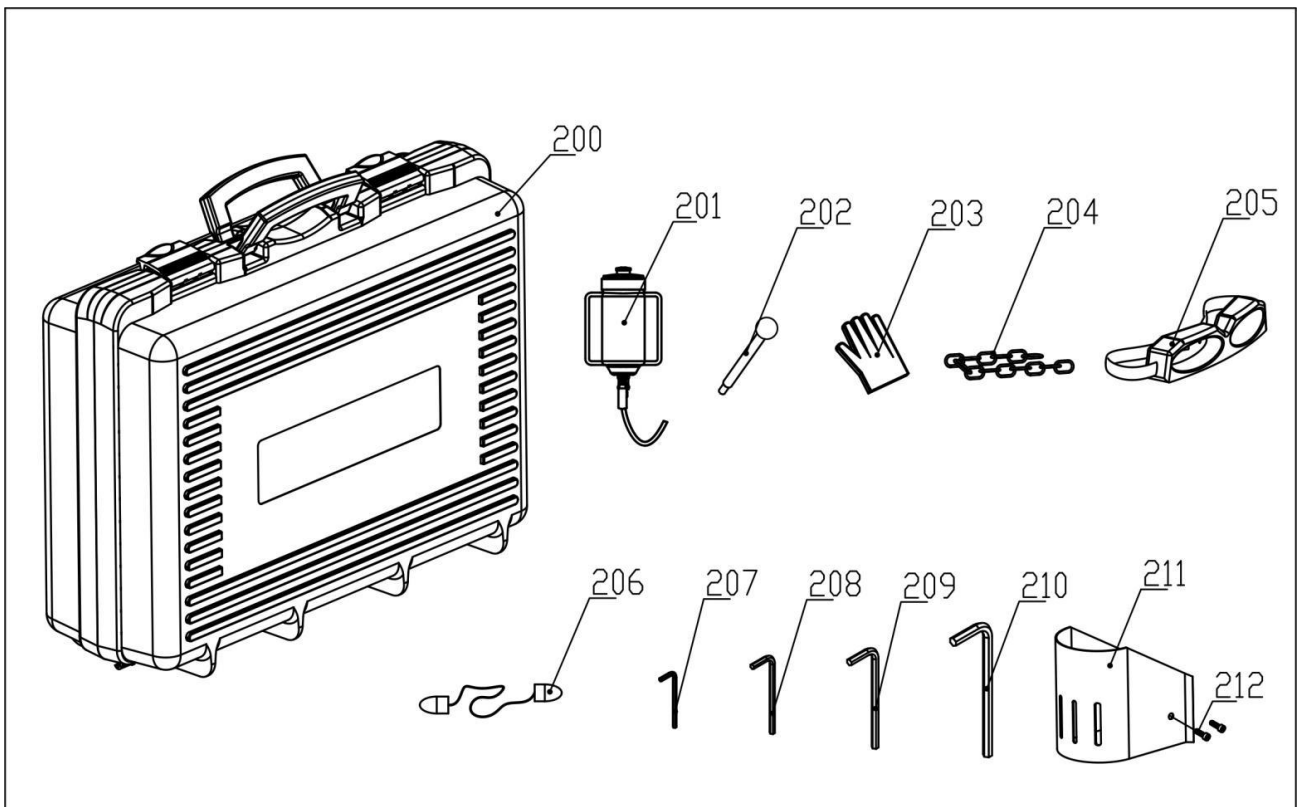
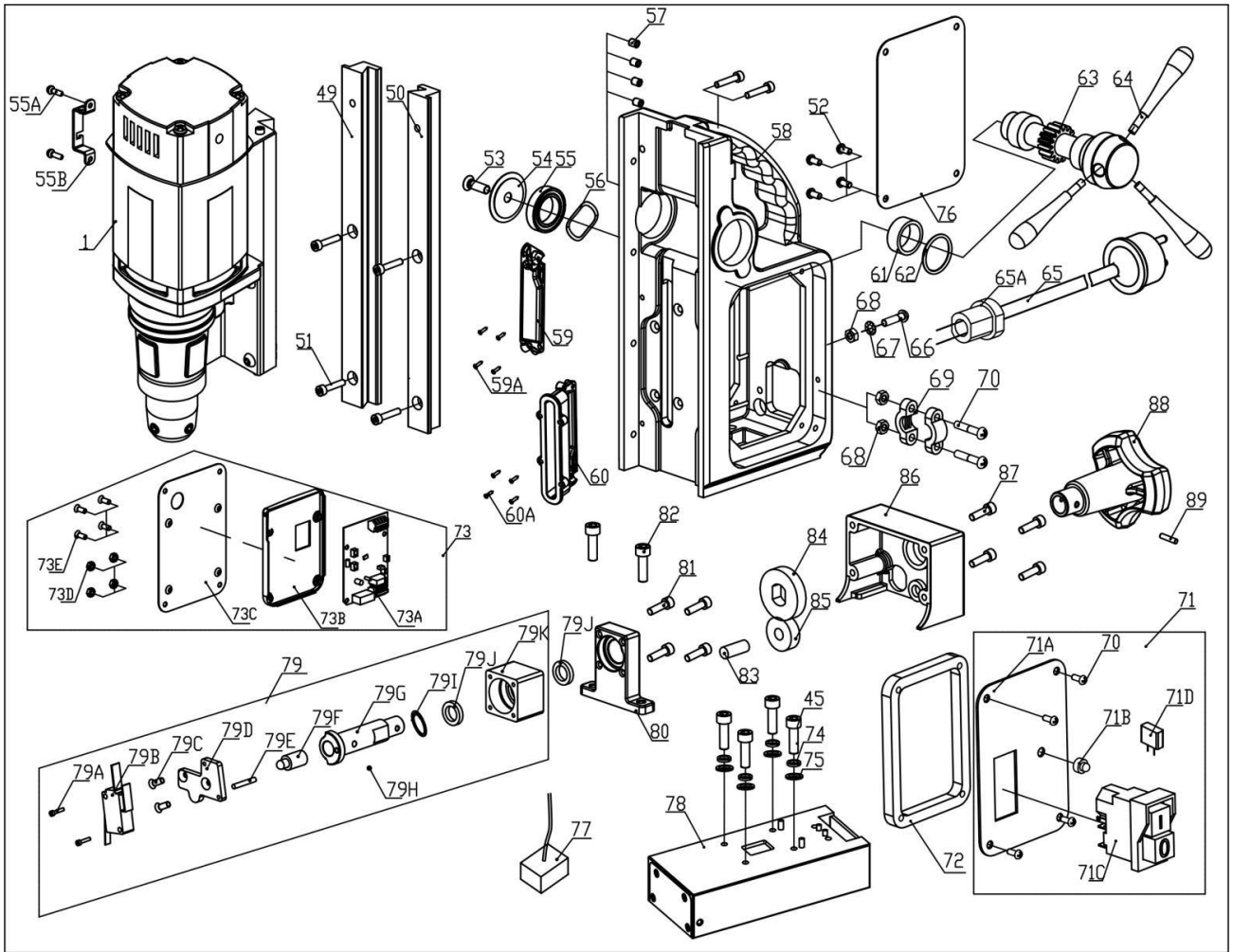
7. Trouble shooting

Permanent magnet and motor do not function	<ul style="list-style-type: none"> - Damaged permanent magnet - Damaged or defective wiring - Defective fuse - Defective control unit - Defective power supply
Magnet does function, the motor does not work	<ul style="list-style-type: none"> - Damaged or defective wiring - Carbon brushes are stuck or worn out - Defective On / Off switch - Defective control unit - Defective armature and/or field
Annular cutters break quickly, holes are bigger than the annular cutter	<ul style="list-style-type: none"> - Clearance in the guide - Bent spindle - Shaft extending from the motor is bent - Bent pilot pin
Motor running roughly and/or seizing up	<ul style="list-style-type: none"> - Bent spindle - Shaft extending from the motor is bent - Triangular guide not mounted straight - Dirt between spindle and triangular guide
Motor making a rattling sound	<ul style="list-style-type: none"> - Gear ring (bottom of the armature) worn out - Gear(s) worn out - No oil in gearbox
Motor humming, big sparks and motor has no force	<ul style="list-style-type: none"> - Armature damaged (burned) - Field burned - Carbon brushes worn out
Motor does not start or fails	<ul style="list-style-type: none"> - Damaged or defective wiring - Dirt in sensor control unit - Defective or loose magnet on top of armature - Damaged or defective (sensor) control unit - Damage to armature or field coil - Damaged or defective carbon brushes
Guiding takes a great deal of effort	<ul style="list-style-type: none"> - Guide is set too tight - Guide is dry, needs to be greased - Guide/gear- rack/rotation system dirty or damaged
Insufficient magnetic holding force	<ul style="list-style-type: none"> - Defective permanent magnetic base
Frame under voltage	<ul style="list-style-type: none"> - Damaged / defective wiring - Motor seriously dirty
Fuse blows when motor is started	<ul style="list-style-type: none"> - Damaged or defective wiring - Wrong value fuse - Motor running roughly - Defective armature and / or field - Carbon brushes worn out - Defective control unit
Rotation system free stroke too long	<ul style="list-style-type: none"> - Loose or defective gear rack - Defective rotation system

8. Exploded view & spare part list

8.1 Exploded views





8.2 Spare parts list

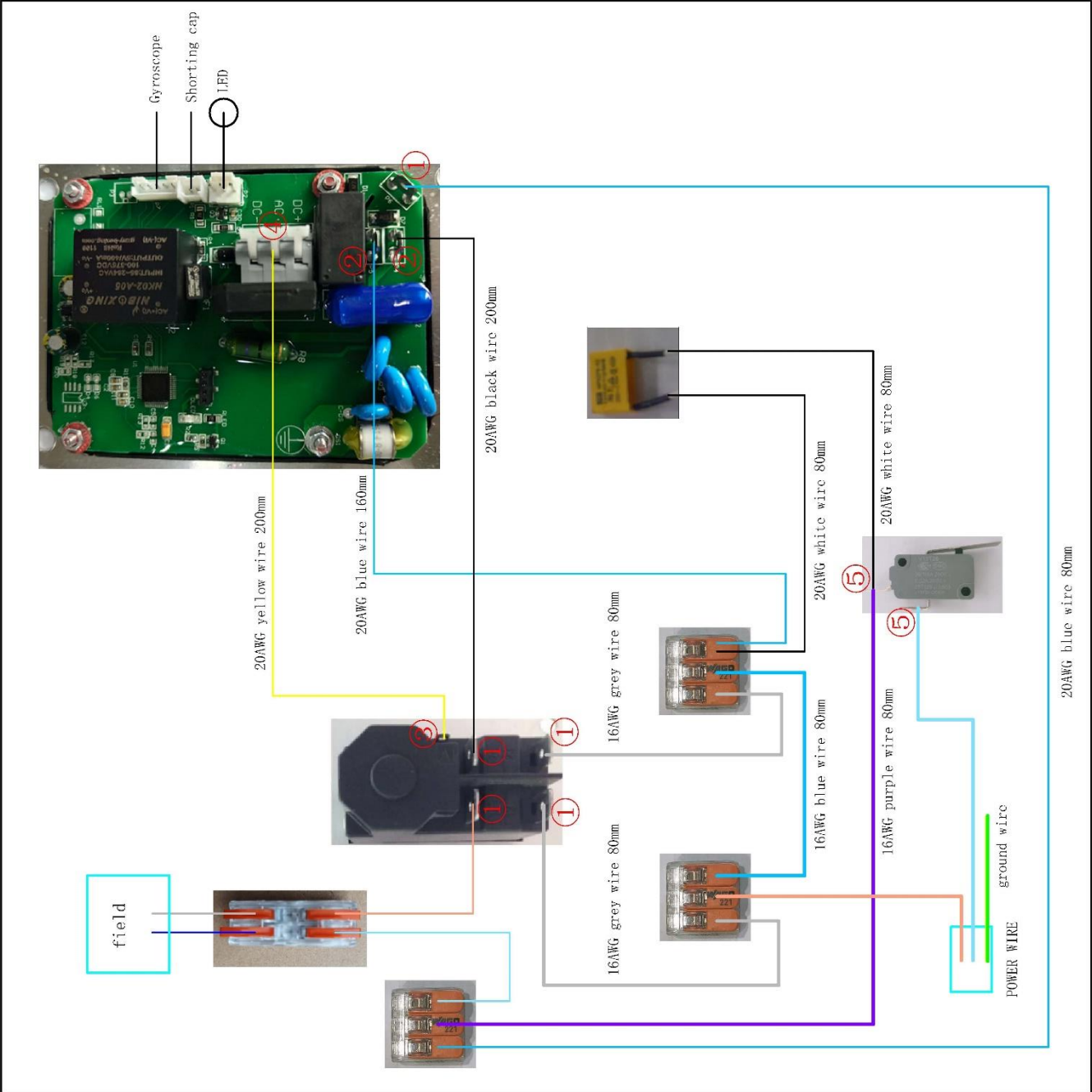
No.	Part no.	Description	Qty
2	0012	Cross pan head tapping screw	4
3	040S.0022	End Cover	1
3A	020.0278	LED red alarm indicator	1
4	032.0136	Flat set screw	2
5	032.0141-1	Carbon brush holder spring	2
6	020.0101	Cross pan head screw	2
7	040S+.1012-40S+(IC)	Housing set	1
8	032.0146A	Carbon brush	1
8A	032.0146AUTO	Carbon brush	1
9	032.0116	Cross pan head tapping screw	2
10	032.0131-1	Adaptor ring cap	1
11	040S.0276	40S stator	1
12	0024	Cross pan head tapping screw	2
13	032.0161	Baffle	1
14	040S.1011	Armature integrated	1
14A	032.0126	Iron sealed bearing	1
14B	040S.0181E	40S armature	1
16	032.0166	Circlip	1
17	050.0070	non-contact bearing	1
18	050.0064	Oil bearing	1
19	040S.0236X	Inner gear plate	1
20	040S.0065	Rotor iron seal	1
21	020.0308	Circlip	1
22	040S.0128	Gasket	1
23	032.0126	Iron sealed bearing	1
24	032C.1014	Helical gear assembly	1
25	020.0636	Iron sealed bearing	1
26	032C.0186-2E	Spindle gear	1
27	032.0191	Gear gasket	1
28	032.0196	Rubber sealed bearings	1
29	020.0300J	Pneumatic fitting	1
30	0025	Pin	2
31	040S.0008	Gear box	1
32	030.0010	Sealant	2
33	030.0009	Rubber sealed bearings	1
34	050.0106	Cross pan head tapping screw	4
35	030.1006	Cross pan head tapping screw	1
35A	030.0014-1	Extended spindle	1
35B	030.0015-1	Spring	1
35C	050.0121C	Block-iron	1
35D	020.0121C	Adptor-ring	1
35E	020.0120E	Gasket	1
35F	020.0131	Circlip	1
35G	020.0136	Tight set screw	2

No.	Part no.	Description	Qty
42	020.0471	Hexagon socket screw	4
43	040S.0024	Slide	1
44	020.0309	Hexagon socket screw	2
45	020.0106A	Hexagon socket screw	6
45A	020.0106	Hexagon socket screw	2
46	040S.0025	Rack	1
47	040S.0017	Spring sheath	1
47A	040S.0029	Acrylic cover	1
47B	040S.0028	wire connector	1
47C	040S.0016	Two-core cable	1
47D	040S.0018	Fluorine hose	1
48	040S.0041	Top-fixing-plate	1
49	020.0193D	Right-guide	1
50	040S.0193D	Left-guide	1
51	100.0022	Hexagon socket screw	6
52	020.0101	Cross pan head screw	4
53	020.0081	Cross pan head screw	1
54	050.0030	Ender cover	1
55	050.0063	Iron sealed bearing	1
55A	020.0063	Cross pan head screw	2
55B	020.0289	Cooling pendant	1
56	040.0023	Washer	1
57	020.0231	Tight set screw	4
58	040.0004	Frame	1
59	040S.0014	Cover	1
59A	040S.0026	Screw	4
60	040S.0013	Cable box	1
60A	040S.0027	Screw	4
61	032.0127A	Powder metal bearing	1
62	030.0027	Washer	1
63	020.0061A-01	Capstan hub	1
64	020.0315X	Rocker arm handle	3
65	040S+P.1016	Power cable set	1
65A	040.0019	Power cord buckle	1
66	020.0182A	Cross pan head screw	1
67	040.0286F	Flower gasket	1
68	020.0182C	Nut	3
69	020.0115	Cable clamp	2
70	020.0182D	Cross pan head screw	6
71	040S+P.1013	Front panel integration	1
71A	040.0005	Front panel	1
71B	032.1006	LED light set	1
71C	BY20.0006A	Motor switch	1
71D	020.0257	Capacitor	1

No.	Part no.	Description	Qty
72	032T.0009	Panel washer	1
73	032.1008Z	Common control unit	1
73A	020.0001Z	Common control unit	1
73B	050T.0015	Plate plastic case	1
73C	050T.0017	Cooling plate	1
73D	050T.0016	Nut	4
73E	050T.0340	Screw	4
74	020.0106C	Washer	6
75	020.0106B	Washer	4
76	055T.0004	Rear panel plate	1
77	055.1041	GYRO-PCB set	1
78	040S+P.1014	Base set	1
79	040S+P.1015	Linkage switch set	1
79A	040.0028	Cross pan head screw	2
79B	040.0016	Micro Switch	1
79C	050T.0340	Screw	2
79D	040.0021	Baffle	1
79E	040.0006	Elastic pin	1
79F	040.0022	Plunger screw	1
79G	018.0033	Stem	1
79H	air.0020	Steel ball	1
79I	040.0007	Circlip	1
79J	air.0011	Iron sealed bearing	2
79K	040.0013	Shaft holder	1

No.	Part no.	Description	Qty
80	040.0012	Gear holder	1
81	018.0044	Hexagon socket screw	4
82	020.0074	Hexagon socket screw	2
83	018.0045	Pin	1
84	040.0015	Gear	1
85	018.0046	Gear	1
86	040.0014	Handle power cord tail cover	1
87	040.0020	Hexagon socket screw	4
88	air.0008-CK	Adjustment handle set	1
89	air.0009	Elastic pin	1
200	040.0203S	PP box	1
201	032.2019	Coolant tank set	1
202	032.2018	Arm-capstan set	1
203	020.1008S	Glove	1
204	032.2013	Safety chian set	1
205	020.0107	Glasses	1
206	020.0109	Ear Plug	1
207	020.0111	Hexkey	1
208	020.0110	Hexkey	1
209	020.0112	Hexkey	1
210	020.0113	Hexkey	1
211	0029	Safety guard	1
212	020.0223	Hexagon socket screw	1

8.3 Wiring diagram



8.4 Warranty and service

Warranty

Euroboor B.V. warrants this magnetic drilling machine to be free of material defects and workmanship errors under normal use for a period of 12 months after date of purchase.

This 12 month period can be extended to 24 months in total by registering the product on our website: <https://euroboor.com/support/register/>.

Service

To maximise the lifetime of your Euroboor machine always use service and parts from an official Euroboor distribution channel. Whenever in need of such, always contact original point of sales or if no longer existent the distributor of Euroboor products in your country.