

TUBE.30s+

Magnetic drilling machine

EUROBOOR
FOR PROFESSIONALS BY PROFESSIONALS

Technical data

	Metric	Imperial
Annular cutting	Ø 12 - 30 mm	Ø 1/2" - 1 3/16"
Twist drilling (Weldon)	Ø 1 - 13 mm	Ø 1/16" - 1/2"
Countersinking	Ø 10 - 35 mm	Ø 3/8" - 1 3/8"
Length	275 mm	10 13/16"
Width	185 mm	7 1/4"
Height	326 - 416 mm	12 13/16" - 16 3/8"
Stroke	90 mm	3 9/16"
Weight*	10.3 kg	22.7 lbs
Magnet (l x w x h)	187 x 165 x 83 mm	7 3/8" x 6 1/2" x 3 1/4"
Magnetic force	532 kg	1,175 lbs
Min. material thickness	3 mm	1/8"
Min. pipe diameter	76.2 mm	3"
Motor power	900 W	8.2 A
Total power	950 W	8.6 A
Speed		775 rpm
(no load)		
Speed		400 rpm
(load 900 W, 8.2 A)		
Spindle (Weldon)	19.05 mm	3/4"
Voltage		110 - 120 V / 60 Hz 220 - 240 V / 50-60 Hz

* Without power cord and handles

Features



Power surge protection



Power fluctuation protection



Gyro-Tec



Automatic shut-off



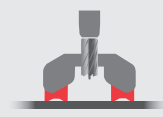
Oil lubricated gearbox



Carbon brush wear indicator



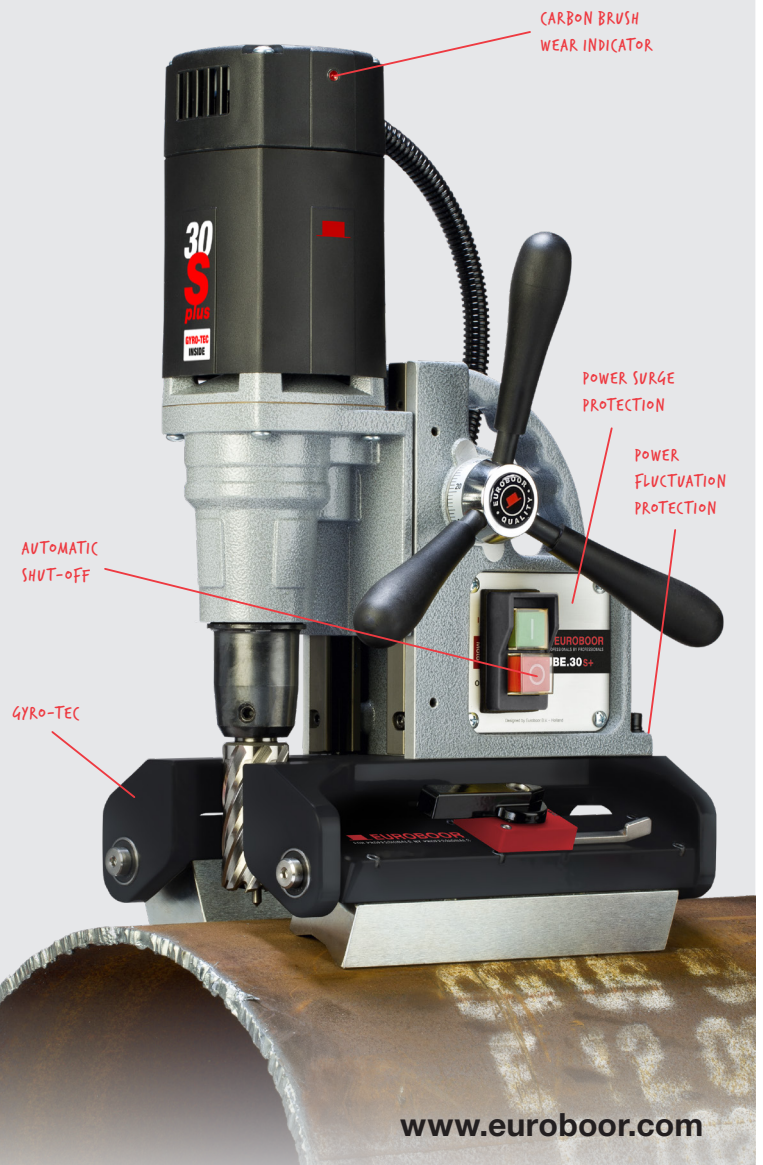
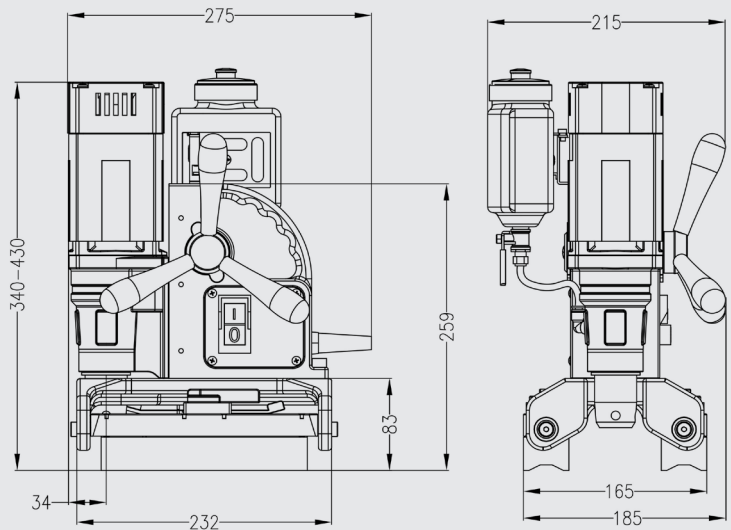
Round outer



Flat surface



Round inner



Euroboor makes every effort to meet quality and integrity requirements. That is why we as an organization are proud of the recognition of some leading organizations worldwide:



www.euroboor.com